

EC-2001GB

E-bike / E-Scooter Alarm System

Installation Manual and User's Guide

Fuzhou PEPE Electronics Technology Co., Ltd.

No.9, Gaowang Rd., Gaishan Investment Zone, Cangshan District, Fuzhou, Fujian, P.R, China

Tel: +86 (591) 8326 9076

For Technical Assistance: Support@eye-home.com

For sales/Marketing: Sales@eye-home.com

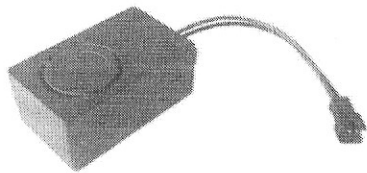


ECR-006

Basic Features:

- System arming / disarming
- Waterproof remote key
- Built-in shock sensor
- Low power consumption
- Remote panic mode
- Compact design built-in 120 dB siren
- Silent arming / disarming
- Power Save mode
- Memory system
- Low voltage alarm

Components:



Alarm Module



Remote Key

Before Installation:

- Please check that your electric bike is fully charged and that all electrical circuits are in working condition.
- Check the layout and construction of the electric bike to decide what space is available to place the components.
- Verify that no parts interfere with the components.

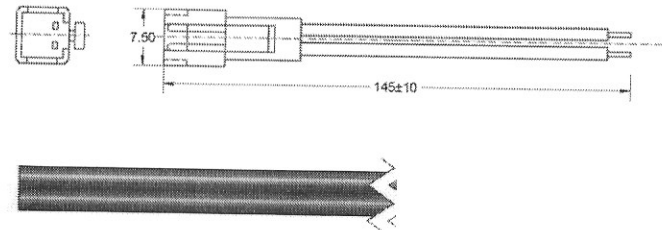
Wire Connections

The factory default connector is a 2PIN connector. The wires should be connected as follows:

2PIN Male Connector

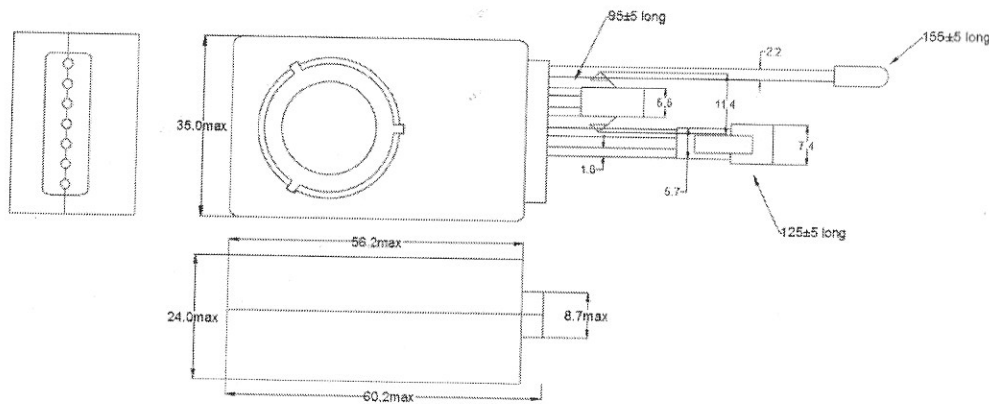
Red wire: to battery positive

Black wire: to battery negative

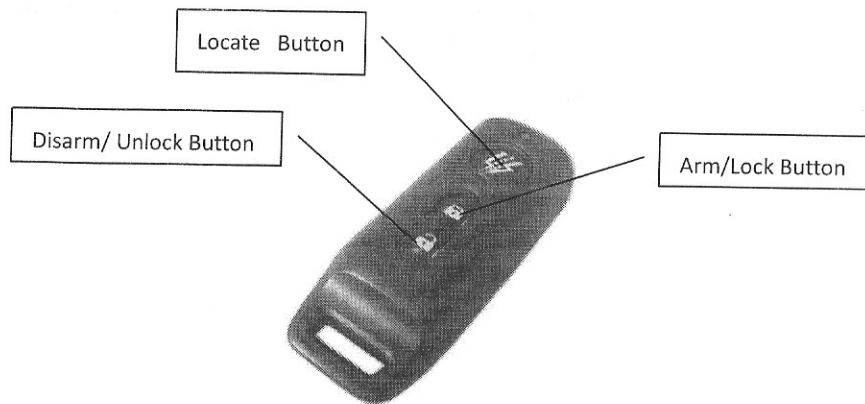


Notes: 2 copper stranded wires, 20 AWG with insulating jackets.

Dimensions:



Operating Instructions



System arming

Press the Arm button once, siren one time and system is armed now. In case the system gets triggers, siren five times. Trigger again, siren sound for 15 seconds.

System disarming

Press the Disarm button once, siren one time and system is disarmed. Now user can start the bike.

Panic mode

The system is armed state, press the Locate button once, the siren will sound for 15 seconds. Press Disarm button to stop the alarm, and the system remains an armed state.

Power save mode

The system will automatically enter the power save mode 24 hours after it's been set to the armed state. The system bypass remote control function. If someone touched the bike, the system will wake up from power save mode immediately, siren five times. Trigger again, siren sound for 15 seconds.

Low battery alarm

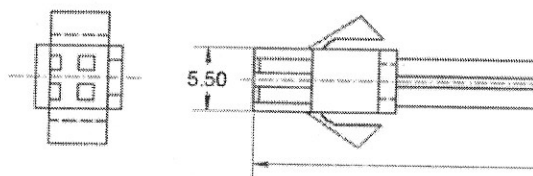
When the battery is low, the red LED light blinking quickly.

Adjusting shock sensor sensitivity

Although the sensor is pre set from the factory, it may be necessary to adjust the sensitivity to suit your specific needs.

Press and hold down button 3, while holding down, the siren will sound to correspond with the current sensitivity setting, the siren sound once is level 1, (Minimum level 1), the siren sound 3 times is level 2 (Medium level 2), the siren sound 5 times is level 3 (Maximum level 3). Release the button followed by one siren to indicate the setting saved.

Programming the remote



2PIN wire female connector for encoding

Step 1: Check that the bike is not turned off state.

Step 2: Within 5 seconds, caused two wires short circuit 2 seconds and release, siren one time to indicate that the programming is successful.